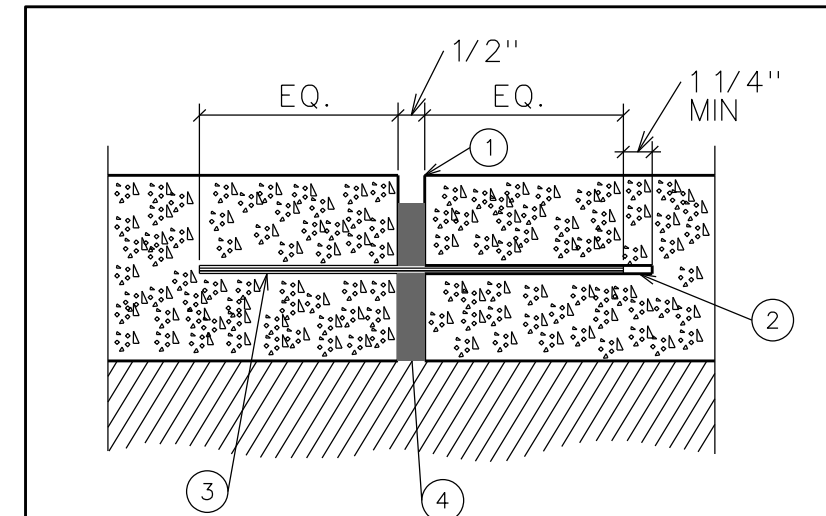
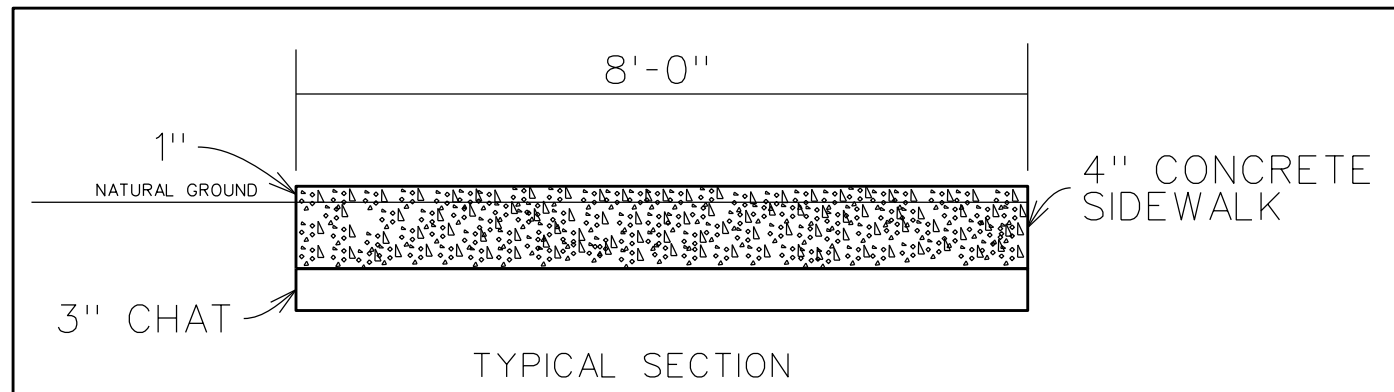
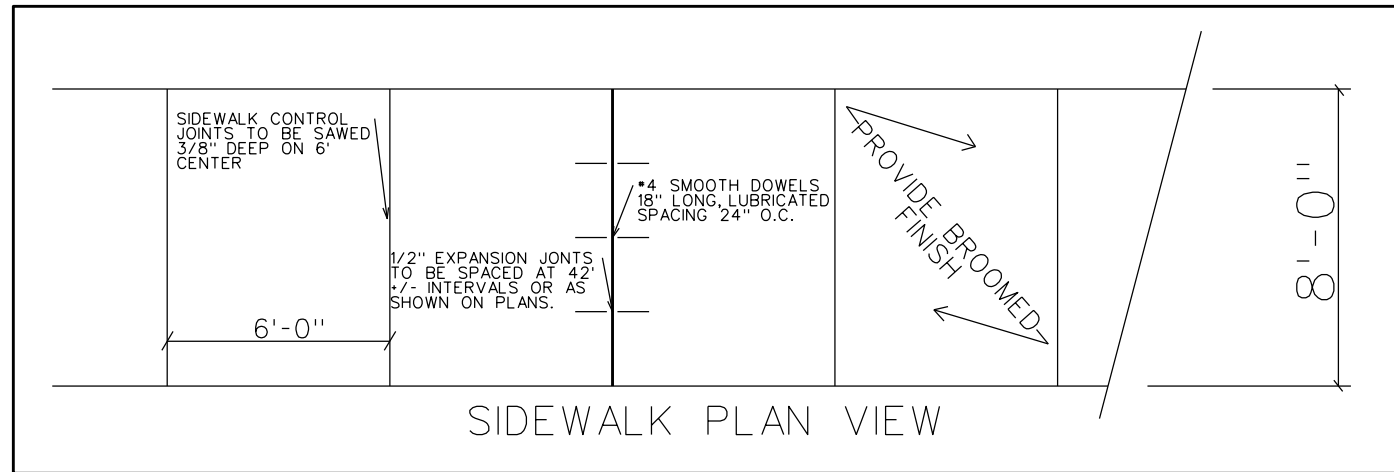
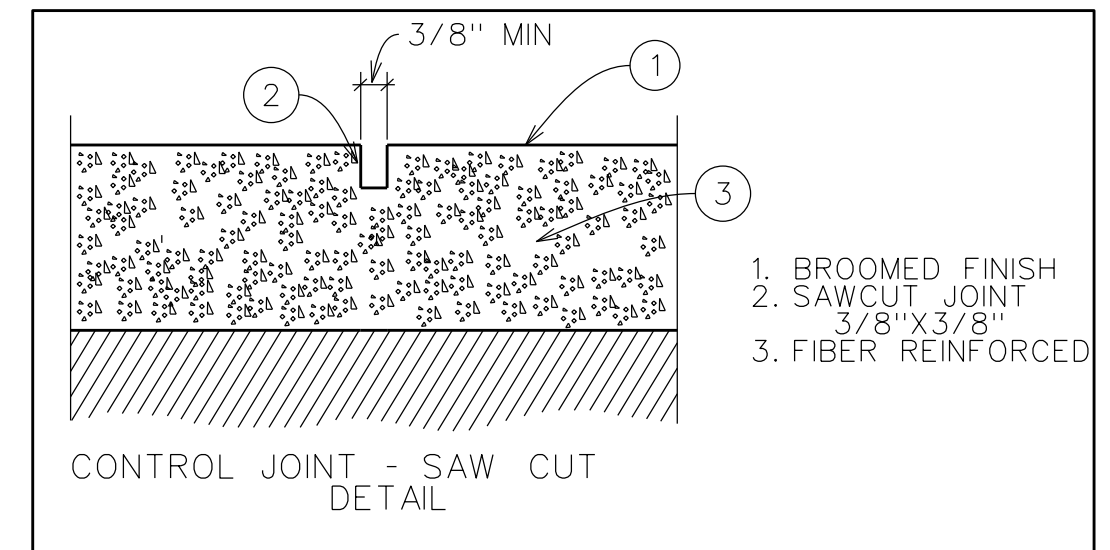


SIDEWALK STANDARD DETAILS

PRELIMINARY



1. PROVIDE ZIP STRIP THEN REMOVE AND SEAL WITH A SYNTHETIC JOINT SEALER COMPOUND.
2. CLOSED END DOWEL SLEEVE WITH 1 1/4" MIN CLEARANCE TO END. FIT AND SECURE TO DOWEL.
3. 18" NO. 4 SMOOTH STEEL DOWEL 24" O.C. WRAP ONE END FOR EXPANSION AS SHOWN.
4. 1/2" PREMOLED ASPHALT IMPREGNATED FIBER BOARD OR APPROVED EQUAL.



1. BROOMED FINISH
2. SAWCUT JOINT 3/8" X 3/8"
3. FIBER REINFORCED

General Notes:

1. In the absence of details in these contract documents applicable design and details shall conform to the general contract documents and specifications for the City Of Brownwood
2. Existing improvements including, but not limited to fences, driveways, sidewalks, pavement, curbs, utility pipelines, and drainage structures which are damaged, removed or altered to permit installation of the work shall be repaired or replaced by the contractor, at the contractor's expense, in the same location and in condition as good as or better than they were found.
3. Unless specifically stated on a drawing, the contractor shall not remove, cut, or damage trees or limbs without written approval of the City of Brownwood.
4. The contractor shall avoid damaging any existing sprinkler system that may be in the construction area and will be responsible for repairs to any heads or lines damaged. Replacement as necessary, shall be with like or better material installed by a licensed irrigator, at the contractor's expense.
5. Sidewalk shall be constructed in accordance with the TXDOT standard specification item 531. Concrete shall be fiber reinforced in lieu of steel reinforcement. Concrete shall have min. 3,000 psi @ 7 days, and a min cement content of 5 sacks per cubic yard.
6. The contractor shall remove from the project area all surplus material. This shall be incidental and not a separate pay item. Surplus materials from excavation including dirt, trash, etc. shall be properly disposed. If the location is not within the city limits the contractor shall provide a letter stating where the location is at. No excess excavated material shall be deposited in low areas or along natural drainage way without written permission from the affected property owner and the city's flood plain administrator. If the contractor places excess material in the areas without permission he will be responsible for all damages resulting from such fill and he shall remove material at his own cost.
7. The contractor is responsible for keeping sidewalks adjacent to the project free of mud and debris from the construction.
8. Contractor shall supply all materials, equipment, and labor to complete the project.
9. All running grades on the proposed walking trail shall not be greater than 5% unless noted on plans.
10. In no case shall the cross-slope of the proposed walking trail be more than 2%.
11. Demo to be done by City prior to construction.



THIS PRODUCT IS FOR INFORMATIONAL PURPOSES AND MAY NOT HAVE BEEN PREPARED FOR OR BE SUITABLE FOR LEGAL, ENGINEERING, OR SURVEYING PURPOSES.